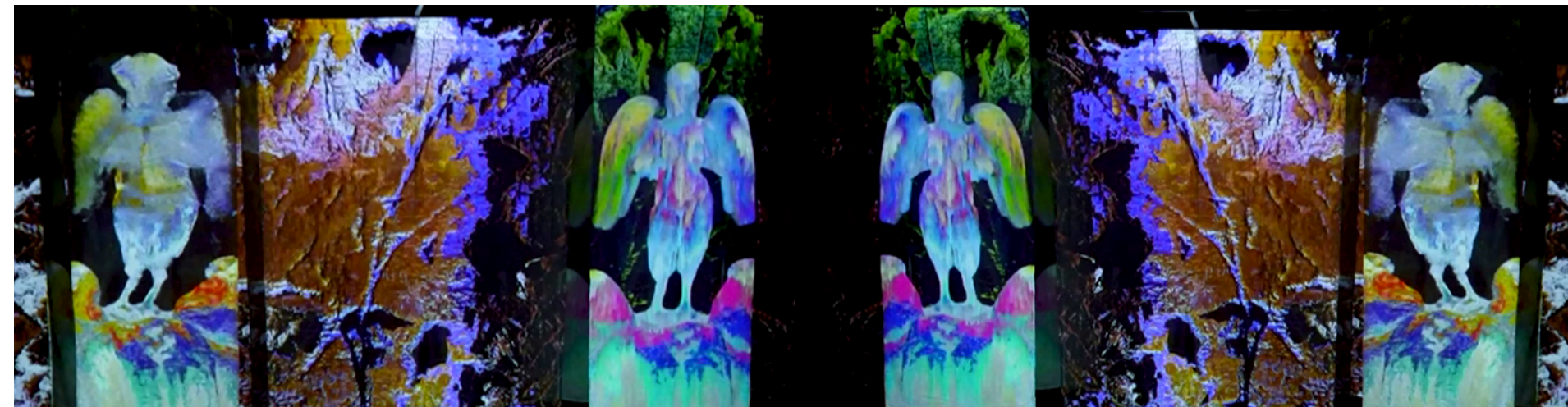
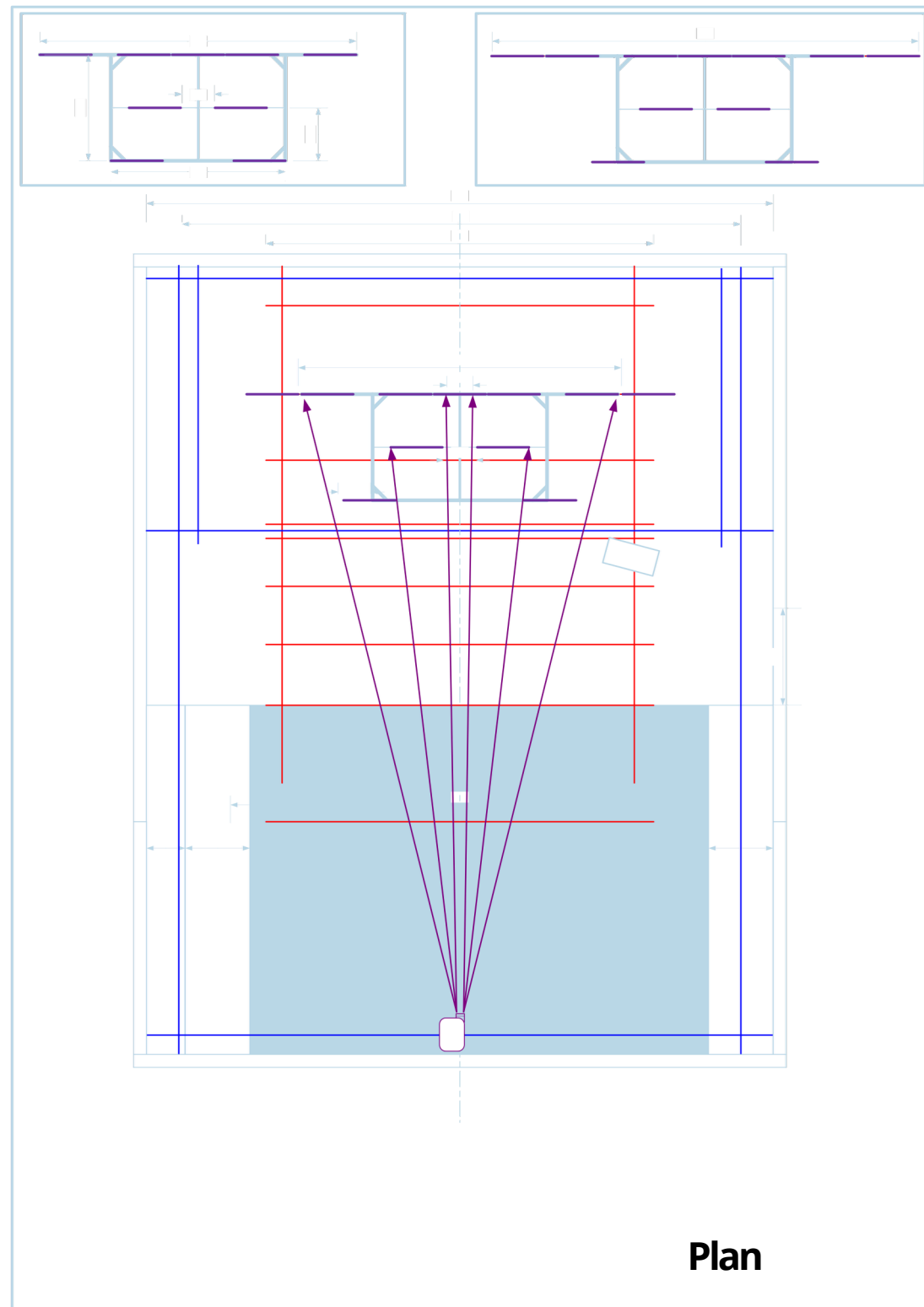


# Technical sheet



## Company equipment

### SCENOGRAPHY

- 1 hanging structure white 4 hooks
- Flame-retardant M1 fabric (13)
- 2 pulleys for hanging system and 1 suspended microphone.
- 5 drisses 1 birthday candle

### VIDEO

- 1 technical table (for placing VP)
- 1 computers
- 1 MIDI pad

### LIGHT

- gelatins and diffusers

### SOUND

- 1 computer
- 1 sound card
- 1 controller
- 1 guitar
- 1 HF headset
- 1 16-channel mixer

## Theater equipment

### SCENOGRAPHY

- Black dance mat
- Pendrillonnage à l'italienne + curtain of stage background
- 1 Stage manager for small down and up of the microphone
- 1 weight or cast iron bread to hang the wire of the control of the microphone
- 1 smoke machine (in dmx)

### VIDEO

- 1 5m HDMI cable
- 1 VP type Panasonic EZ770

### LIGHT

- 1 console 24 programmable memory circuits
- 24 dimmer circuits
- 3 pcs 1kW with shutters
- 6 cuts type 614
- 6 feet of projectors H=1,5m
- 7 PAR 64 CP60
- 2 PAR 64 CP 62
- 6 F1
- 2 Floor Stand
- Room light adjustable from the control room

### SOUND

- 4 returns to the stage (left/right in nose of scene linked to 2 distant)
- 2 speakers on the front